

96-1 Hinge

Lift-off · In-line · Zinc

Features

- Allows for quick, easy door removal
- Concealed installation

Installation Notes

- Screws not supplied
- Recommended tightening torque for mounting screws: 1.1 N.m
- Calculate screw length using the formula: Door / frame thickness +5

Material

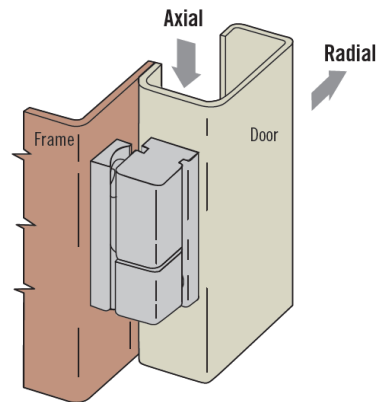
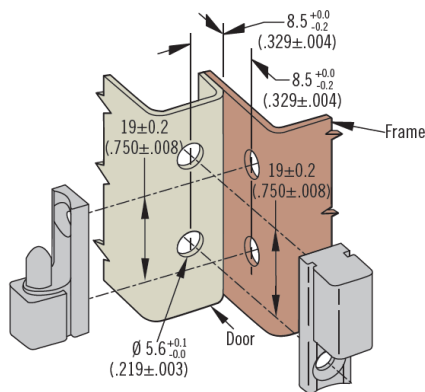
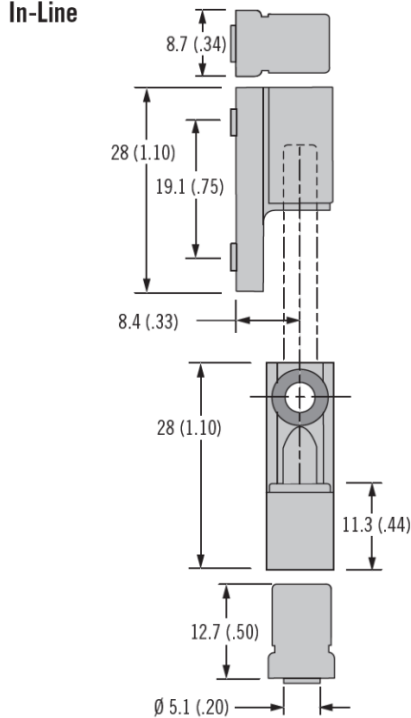
- Zinc alloy, black powder coated

Product Performance

- Radial load:
 - Maximum static load: 1,100 N
 - Average ultimate load: 2,400 N
- Axial load:
 - Maximum static load: 1,250 N
 - Average ultimate load: 2,600 N



In-Line



Tapped Hole	Part Number
Imperial 6-32	96-110
Metric M4 x 0.7	96-140